

# BAMCO inc.



**Composite Metal Wall Systems**

# FROM DESIGN TO INSTALLATION, OUR OFFER THE BEST SOLUTIONS USING COMPOSITE

## **About BAMCO inc.**

BAMCO inc. of Middlesex, NJ is a time-tested industry leader specializing in customer-friendly, fully engineered and fabricated state of the art composite panel systems. With over two decades of experience, BAMCO inc. brings together the needs of designers and contractors to successfully manage the often competing requirements of aesthetics, cost and schedule.

## **Why Composite Panels?**

Composite panels are flat, durable, versatile, low maintenance, colorful and cost-effective. That is why more and more designers are specifying them on commercial, institutional and residential projects.

## **The BAMCO Advantage**

From start up to completion, our integrated design, engineering, fabrication and installation departments provide a full service experience designed to make your job easy. No project is too big or too small, no concept unachievable. Our only limits are your imagination. That's the BAMCO Advantage.



Project: **Garfield Middle School**  
Architect: **MRM Architecture**  
General Contractor: **Torcon Inc**



# TEAM OF EXPERTS TE METAL PANEL SYSTEMS.



Project: **Robert Wood Johnson Cancer Center**  
Architect: **Rothe-Johnson-Fantacone**  
General Contractor: **William Blanchard Co.**



Project: **Passaic Tech**  
Architect: **Comerio Coppa Arch**  
General Contractor: **Century 21**



## Applications

### Exteriors

- Entrance canopies
- Fascias and soffits
- Column covers
- Curtainwall infills
- Slab edge covers
- Curved surfaces
- Integral copings
- Equipment screens
- Cornices

### Interiors

- Column and beam wraps
- Vestibules
- Lobby walls and ceilings

### Our Capabilities

- Competitive pricing
- State of the art CAD design
- Most advanced CNC routing technology
- Roll forming
- Value engineering
- Web detail interface for design and erection
- Critical path scheduling
- Multi-layered quality control
- Quick ship programs
- ASTM tested systems
- \*LEED accreditation

\*LEED (Leadership in Energy and Environmental Design) points for Green Building rating.

### Options

- Custom colors
- Zinc, copper, stainless & pre-finished aluminum facings
- Anodized finishes
- Simulated granite and marble stone finishes
- Reveals and depth variation
- Insulated panels
- Custom and radius shapes
- Integrated trim and flashings
- Light gauge supports/furring

Cover photos:

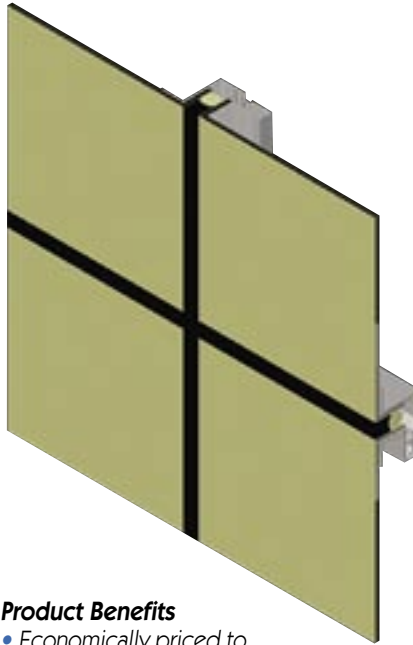
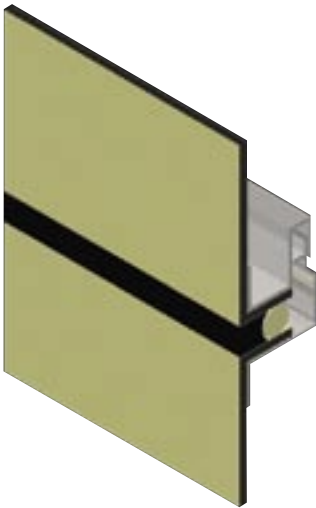
Top / bottom photos:  
Project: **Fairlawn Recreational Center**  
Architect: **The Ives Group**  
General Contractor: **March Associates**

Center photo:  
Project: **Mamaroneck High School**  
Architect: **The Geddis Partnership**  
General Contractor: **MA Angeliades**

# WITH THREE SYSTEMS TO CHOOSE

## C-500 Wall System

BAMCO's C-500 system is our most widely used and economical panel system. This system is comprised of 4mm or 6mm composite panel fabricated in a rout and return method with a silicone caulk joint. The simplified extrusions provide for ease of installation.

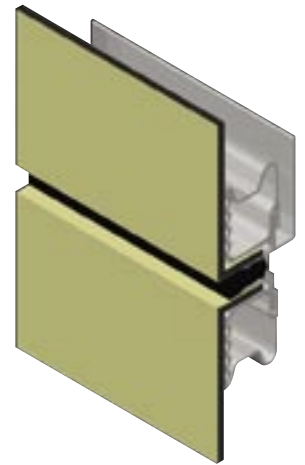


### Product Benefits

- Economically priced to meet tighter budgets.
- Simplistic design for ease of installation
- Lightweight all-aluminum construction
- Can be applied over a variety of substrates
- Lengths up to 16'-0"
- Widths up to 5'-0"
- Low maintenance
- Can be rear insulated

## G-500 Wall System

BAMCO's G-500 is our third generation system utilizing a "state of the art" recessed hard silicone gasket joinery. Fabricated in a rout and return method, this system is comprised of 4mm or 6mm composite panel with guttering perimeter extrusions. Typically attached to sheathing with vapor barrier this high performance system is a perfect fit for projects that require close attention to condensation and water weepage where standard caulk joinery is not acceptable.



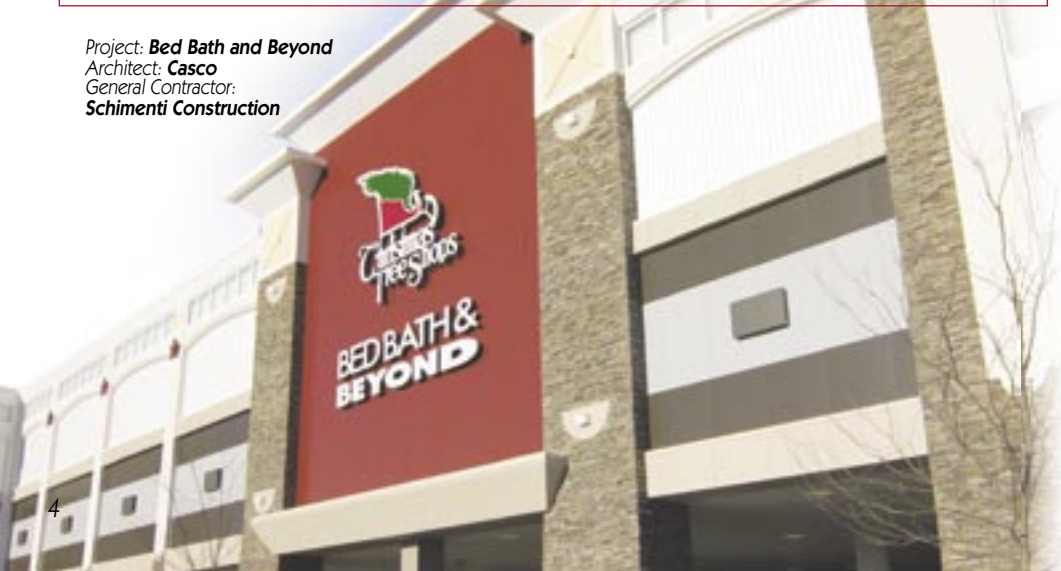
### Performance Testing Criteria

- **Air Infiltration ASTM 283-04** Standard test method for rate of air leakage through exterior windows.
- **Water Penetration ASTM 331-00** Standard test method for water penetration of exterior windows, skylights, doors, and curtain

walls by uniform static pressure difference.

- **Structural Performance ASTM 330-02** Standard test method for structural performance of exterior windows, skylights, doors, and curtain walls by uniform static pressure difference.

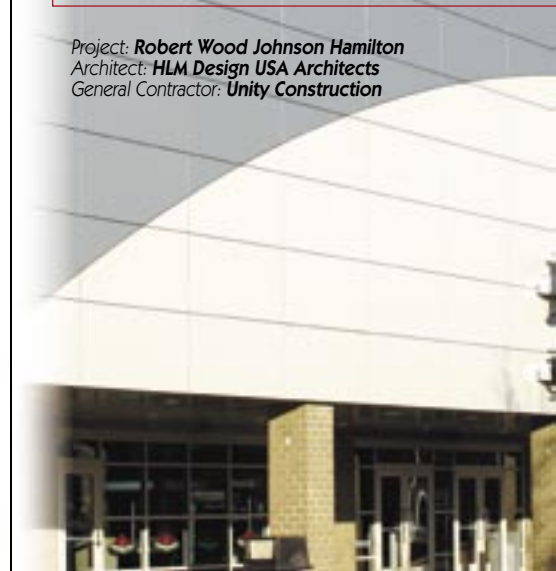
Project: **Bed Bath and Beyond**  
 Architect: **Casco**  
 General Contractor: **Schimenti Construction**



### Performance Testing Criteria

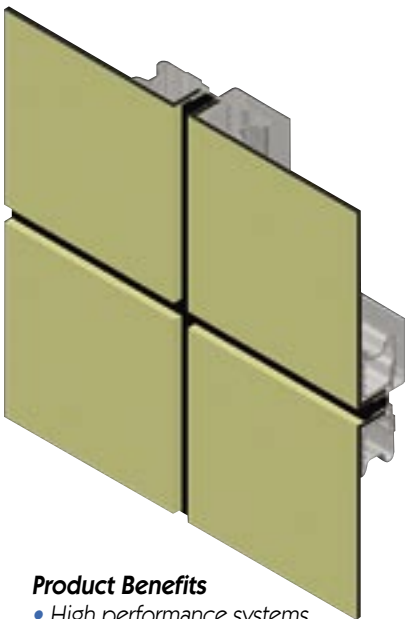
- **Air Infiltration ASTM 283-04** Standard test method for rate of air leakage through exterior windows.
- **Water Penetration ASTM 331-00** Standard test method for water penetration of exterior windows, skylights, doors, and curtain

Project: **Robert Wood Johnson Hamilton**  
 Architect: **HLM Design USA Architects**  
 General Contractor: **Unity Construction**





# FROM, WE HAVE YOU COVERED.

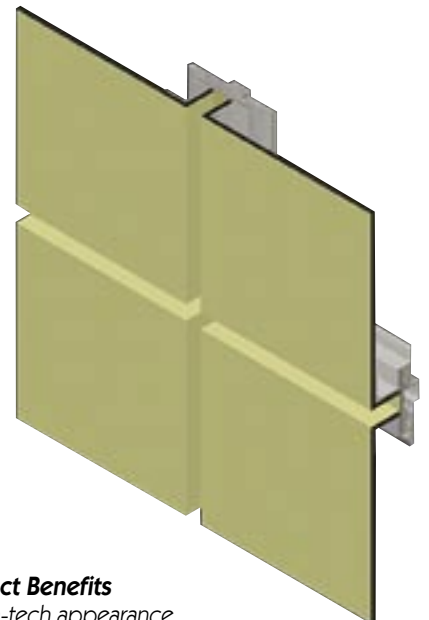
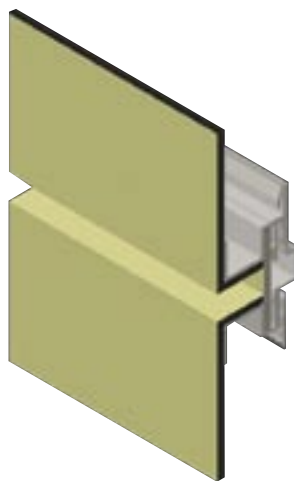


## Product Benefits

- High performance systems with guttering extrusions
- Recessed reveals
- Maintenance free, fade free, silicone joint gasket
- Pressure equalized
- Lightweight all-aluminum construction
- Can be applied over a variety of substrates
- Lengths up to 16'-0"
- Widths up to 5'-0"
- Low maintenance
- Can be rear insulated

## D-500 Wall System

BAMCO's D-500 system utilizes latest generation "rain screen" technology. This system is comprised of 4mm or 6mm composite panel typically attached to sheathing with vapor barrier. Our composite panel joint filler gives you versatility with optional joint sizes and accent colors.



## Product Benefits

- High-tech appearance
- Recessed composite panel joint filler
- Optional joint sizes and accent colors
- Rain screen principle
- Pressure equalized
- Lightweight all-aluminum construction
- Can be applied over a variety of substrates
- Lengths up to 16'-0"
- Widths up to 5'-0"
- Low maintenance

## Performance Testing Criteria

- **Air Infiltration ASTM 283-04** Standard test method for rate of air leakage through exterior windows.
- **Water Penetration ASTM 331-00** Standard test method for water penetration of exterior windows, skylights, doors, and curtain

- **Structural Performance ASTM 330-02** Standard test method for structural performance of exterior windows, skylights, doors, and curtain walls by uniform static pressure difference.

walls by uniform static pressure difference.

- **Structural Performance ASTM 330-02** Standard test method for structural performance of exterior windows, skylights, doors, and curtain walls by uniform static pressure difference.



Project: **Overlook Hospital**  
 Architect: **WHR & Buckl Architects**  
 General Contractor: **William Blanchard Company**



# AT BAMCO, NO PROJECT IS TOO BIG OR TOO SMALL. OUR ONLY LIMITS ARE YOUR IMAGINATION.



Project: **RWJ Children's Hospital**  
Architect: **Granary Associates Architects**  
General Contractor: **Wm Blanchard Company**



Project: **CCL Label Company**  
Architect: **O'Conner / Gordon**  
General Contractor: **Worthington Construction**

Project: **Capital Health Systems**  
Architect: **MRM Architecture**  
General Contractor: **Turner Construction**



# TOO SMALL, NO CONCEPT UNACHIEVABLE. YOUR IMAGINATION.



Project: **Wayne Hills High School**  
Architect: **Feitlowitz & Kosten Architects**  
General Contractor: **Drill Construction**



Project: **Mercer Special Services**  
Architect: **USA Architects**  
General Contractor: **Seacoast Builders**



Project: **Lacey Township School**  
Architect: **DiCara Rubino Architects**  
General Contractor: **Keating Builders**

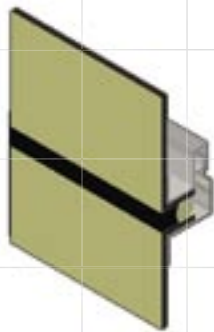


# YOUR PROJECT DESERVES NOTHING BUT THE BEST.

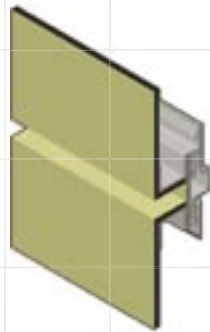


## Other innovative products from BAMCO inc.

- .125 Aluminum Panels
- Perforated Screening
- Custom Breakforming
- Column Covers



**C-500  
Wall System**  
Wet seal caulk  
joint



**D-500  
Wall System**  
Rain screen  
dry joint



**G-500  
Wall System**  
Hard silicone  
snap-in gasket

# **BAMCO inc.**

## **Composite Metal Wall Systems**

30 Baekeland Ave., Middlesex, NJ 08846  
732-302-0889 • Fax: 732-302-9456 • 1-800-245-0210  
[www.bamcoinc.org](http://www.bamcoinc.org)